

# 承认书

## SPECIFICATION FOR APPROVAL

客户 (CUSTOMER): \_\_\_\_\_

客户料号(CUST P/N): \_\_\_\_\_

产品物料编号: (PART.NO): 137038000369

奥迪威产品名称(DESCRIPTION): HQ0057-004

奥迪威产品型号(P/N): PT1000-05

规格书编号(SPECIFICATION.NO): K2-WSP-HQ-00192

规格书版本(VERSION): A4

■规格书状态(Specs Type):

■样品(Sample Specs)

□量产(Standard Specs)

样品规格书(Sample Specs):

适用于产品的小批量试制. (Apply to trial order.)

量产规格书(Standard Specs):

适用于产品的批量生产. (Apply to mass production.)

客户承认 CUSTOMER APPROVAL	签名 SIGNATURE.	承认章 COMPANY CHOP.

编制 DWN.	审核 CHK.	批准 APPD.
刘刚 / 2019.1.21	覃东 / 2019.01.21	杨君刚 2019.01.21

■产品规格书仅供参考, 在产品量产之前, 需要确认最新版本的量产规格书, 并得到客户的签名承认.  
( Specifications are for reference only, and it is required to be approved by customers before mass production.)

注: 承认书一式两份, 请返回一份.( Note: Specs are in duplicate, please send one copy back.)



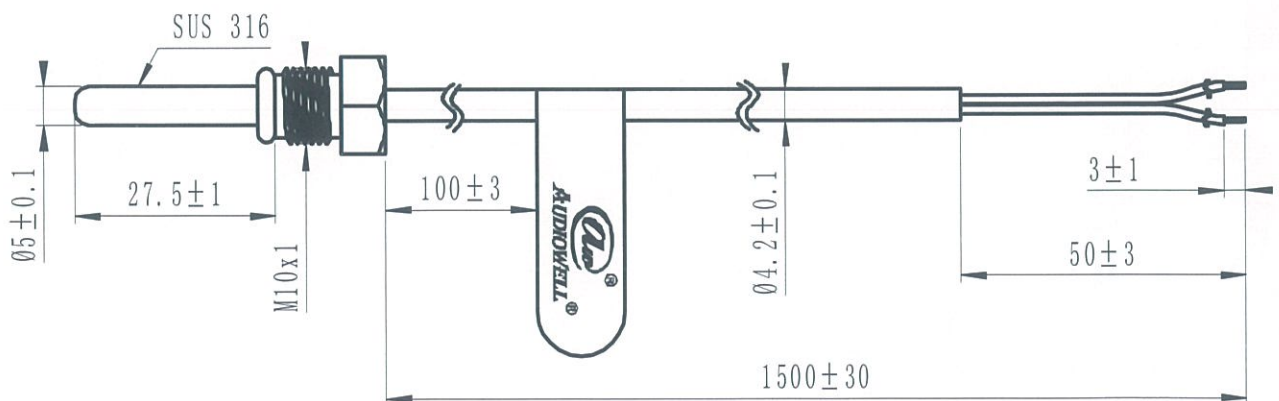
## 温度传感器产品规格书

■ 产品型号 Model: HQ0057-004//PT1000-05

■ 电性能参数 Electrical specification:

No.	项目 Items	规格参数 Specification	备注 Note
1	单支产品允差等级 Single sensor tolerance class	Class B (IEC 60751)	30°C恒温槽合格电阻范围 The resistance range at 30°C 1114.98~1118.48 Ω
			60°C恒温槽合格电阻范围 The resistance range at 60°C 1230.11~1234.73 Ω
			90°C恒温槽合格电阻范围 The resistance range at 90°C 1344.21~1349.93 Ω
2	允许最大配对误差 Maximum admissible error of temperature sensor pair	0.1°C Max	30°C恒温槽测试电阻误差 The resistance error at 30°C: $\Delta\Omega_{30^\circ\text{C}} < 0.38 \Omega$
			60°C恒温槽测试电阻误差 The resistance error at 60°C: $\Delta\Omega_{60^\circ\text{C}} < 0.38 \Omega$
			90°C恒温槽测试电阻误差 The resistance error at 90°C: $\Delta\Omega_{90^\circ\text{C}} < 0.38 \Omega$
3	绝缘电阻 Insulation resistance	100 MΩ Min.	绝缘阻抗测试仪 Insulation resistance tester 充电时间 60s, 测试电压 100V d.c Charging time 60s, at 100 V d.c

■ 外观尺寸 Appearance and dimensions:



备注:

Remark:

1. 传感器为红蓝两支，规格尺寸相同;

The specification and dimension of 2 sensors in one pair is the same. One with red label and the other with blue label;

2. 物料符合 RoHS 环保要求，测温原件为 PT1000，符合 IEC 60751。

All the material is RoHS compliance. The temperature-sensing element type is PT1000, which is IEC 60751 compliance.

注意事项:

Note:

1. 工作温度范围: 0~+105°C。

Operating temperature range: 0~+105°C.

2. 储存温度范围: -25~+105°C。

Storage temperature range: -25~+105°C.

3. 传感器必须以出厂的产品成对使用，如造成单只损伤，请勿自行配对使用。

The sensors have been matched before the delivery. They should be used as original matching. If one of the sensor is damaged, please don't match the sensor by yourself.

4. 为了防止传感器发生故障、工作失效或性能退化，应避免在如下或类似条件下使用本产品。

To avoid the failure or performance degradation, please don't use the sensor under the below situation.

1) 强烈的冲击或振动; Strong impact or vibration;

2) 有溶解性有机物的环境下。Soluble organic matter environment.

■ 修订记录 Revision History:

文件修订记录 Document Revision History			
修订时间 Date	版本 Version	内部 ECR 编号 Internal ECR Code	修订内容 Contents of revision
2017/10/27	/	/	新建规格书 Specification established
2017/12/18	A1	N-ECR-1702722	修改部分性能描述错误 Revise the description of electrical specification
2018/2/1	A2	N-ECR-1800259	修改部分性能描述错误 Revise the description of electrical specification
2018/5/15	A3	/	修改部分性能描述错误 Revise the description of electrical specification

